



Standard Features

- Rapid Cooking Technology combines three heat technologies:
 - Tuned Impingement
 - Microwave
 - Convection
- UL certified ventless cooking capabilities through built-in catalytic converter
- Rapid cooking up to 20 times faster than a conventional oven
- 12" cavity in a 14" width footprint
- Cool-to-touch exterior
- easyTouch®, icon driven touchscreen user interface
- Very easy to clean seam welded cavity with large rounded edges
- Quiet operation -45.3 dbA in standby mode
- Monitored, toolless, front mounted air filter
- USB memory stick data transfer of up to 1024 cooking profiles
- Built-in diagnostic testing
- Accessory storage on top of the unit
- Fits on a 60cm (23.6") worktop

Eikon E2S

INCLUDED ACCESSORIES

- Solid cook plate
- Guarded hand paddle with supporting side walls
- Solid base basket, full size
- Cool down pan
- Two cook plate liners

CONSTRUCTION

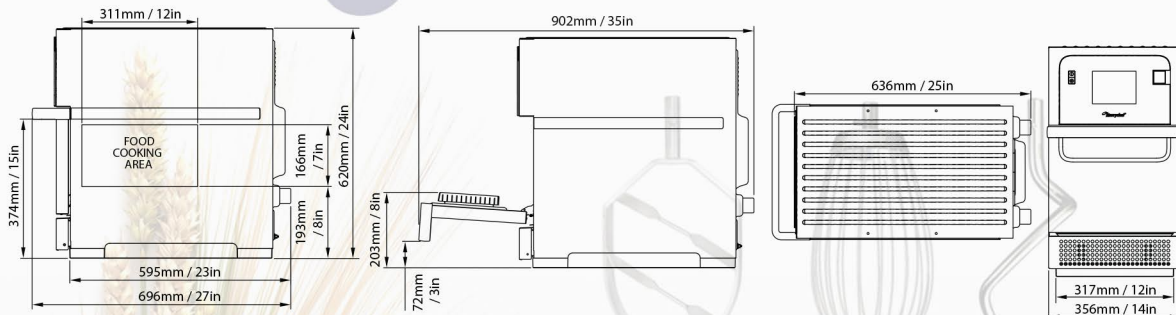
- Stainless steel cavity and casework

MICROWAVE POWER

- Microwave settings, off or 5-100% in 1% increments

CONVECTED HEAT

- Temperature settings OFF and from 100°C to 275°C / 212°F to 527°F in 1°C steps



Model	Overall size			Weight	Voltage	Current	Max power input
	Height	Width	Depth				
eikon® e2s Classic	620 mm (24.4")	356 mm (14.0")	595 mm (23.4")	Net 51.3 kg (113 lbs) GROSS 60.7 kg (134 lbs)	230V / 1N / 50Hz	13A	2990 W