



DYNASTY

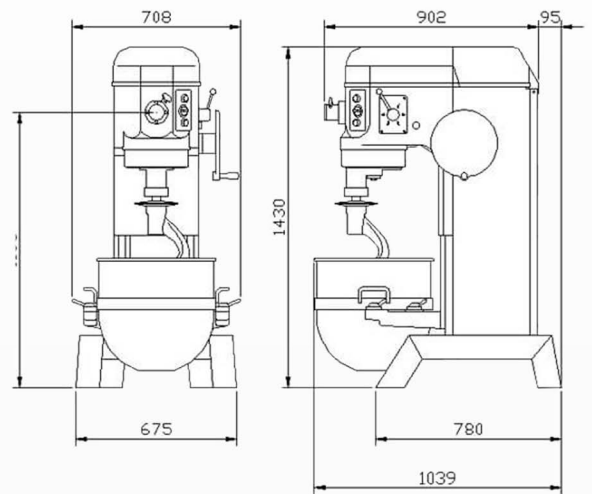
60 Quart Gear Driven mixer



HL-11091



HL-11091ATL



Product Character

- Stand model.
- Three Fixed Speeds.
- Easy Speed-shifting.
- 100% Gear Driven.
- Long-life Gearbox
- Heavy-duty Construction
- Powerful Motor.
- #12 Hub

Standard Accessories

- Spiral Dough Arm
- Flat Beater
- Wire Whip
- 60 Quart Bowl
- Bowl Truck

Optional Accessories

- 30 Quart Bowl
- 30 Quart Spiral Dough Arm.
- 30 Quart Flat Beater
- 30 Quart Wire Whip
- Timer
- Safety Guard
- Vegetable Slicer Attachment
- Meat Grinder Attachment
- Digital Control Panel
- Scraper
- Power lift

Specifications

Model No.	Bowl Capacity	Motor	Agitator Speeds (RPM)	Hub	Safety Guard	Timer	Digital Control Panel	Power lift	N.W.
HL-11091	60 Quart (57 Liter)	3 HP 2.25 kW	60Hz: 101 / 178 / 297 / 523 50HZ: 84 / 148 / 248 / 436	Std.	-	-	-	-	400 Kg ~ 455 Kg
HL-11091A				Std.	-	-	-	-	
HL-11091T				Std.	Std.	Std.	-	-	
HL-11091ATL				Std.	Std.	Std.	Std.	Std.	

- A - Safety Guard
- T - Timer
- D - Digital Control Panel
- 1 Quart = 0.95 Liter
- L = Power Lift

* The above specifications do not include all possible combinations of optional accessories
 * Any voltage is available, please specify voltage and phase when ordering