



DYNASTY

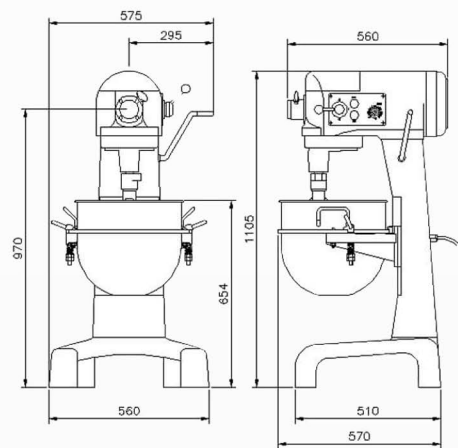
30 Quart Gear Driven mixer



HL-11030



HL-11030AT



Product Character

- Stand model.
- Three Fixed Speeds.
- Easy Speed-shifting.
- 100% Gear Driven.
- Long-life Gearbox
- Heavy-duty Construction
- Powerful Motor.
- #12 Hub

Standard Accessories

- Spiral Dough Arm
- Flat Beater
- Wire Whip
- 30 Quart Bowl

Optional Accessories

- 20 Quart Bowl
- 20 Quart Spiral Dough Arm.
- 20 Quart Flat Beater
- 20 Quart Wire Whip
- Timer
- Safety Guard
- Vegetable Slicer Attachment
- Meat Grinder Attachment
- Digital Control Panel
- Scraper

Specifications

Model No.	Bowl Capacity	Motor	Agitator Speeds (RPM)	Digital Control Panel	Safety Guard	N.W.
HL-11030	30 Quart (28.5Liter)	1 HP 0.75 W	60Hz: 116 / 214 / 391 50HZ: 125 / 232 / 423	Std.	-	180 Kg
HL-11030A				Std.	-	
HL-11030T				Std.	Std.	185 Kg
HL-11030AT				Std.	Std.	

- A - Safety Guard
- T - Timer
- D - Digital Control Panel
- 1 Quart = 0.95 Liter

* The above specifications do not include all possible combinations of optional accessories

* Any voltage is available, please specify voltage and phase when ordering