



DYNASTY

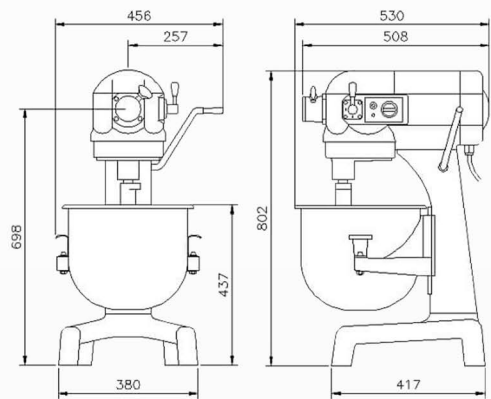
20 Quart Gear Driven mixer



HL-11012



HL-11012AT



Product Character

- Table model.
- Three Fixed Speeds.
- Easy Speed-shifting.
- 100% Gear Driven.
- Long-life Gearbox
- Heavy-duty Construction
- Powerful Motor.
- #12 Hub

Standard Accessories

- Spiral Dough Arm
- Flat Beater
- Wire Whip
- 20 Quart Bowl

Optional Accessories

- C - type Hook
- P - type Beater
- 10 Quart Bowl.
- 20 Quart Spiral Dough Arm
- 20 Quart Wire whip
- Timer
- Safety Guard
- Vegetable Slicer Attachment
- Meat Grinder Attachment
- Digital Control Panel
- Scraper

Specifications

Model No.	Bowl Capacity	Motor	Agitator Speeds (RPM)	Hub	Safety Guard	Timer	Digital Control Panel	N.W.
HL-11012	20 Quart (19 Liter)	1/2 HP 0.375 kW	60Hz: 129 / 240 / 240 50HZ: 140 / 260 / 473	Std.	-	-	-	95 Kg ~ 98 Kg
HL-11012A				Std.	Std.	-	-	
HL-11012T				Std.	-	Std.	-	
HL-11012AT				Std.	Std.	Std.	Std.	

- A - Safety Guard
- T - Timer
- D - Digital Control Panel
- 1 Quart = 0.95 Liter

* The above specifications do not include all possible combinations of optional accessories

* Any voltage is available, please specify voltage and phase when ordering