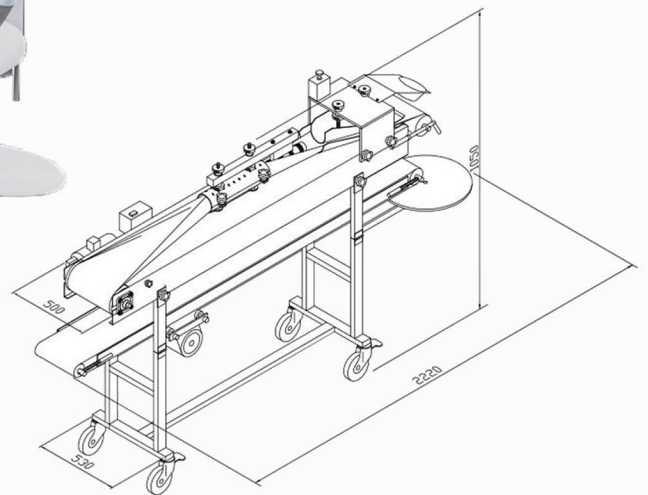


BakeEquip

Bagel Machine KL - 2000



Put the well divided dough into the hopper, The bagel will be formed automatically.
Conveyor belts are completely removable for easy cleaning and maintenance.
The dough can be added in different ingredients or additive to make various flavors of bagels.

Product name	BakeEquip
Model	KL-2000
Standard Voltage	400V/3/50Hz
Horse power	1HP - 40W
Output Power (KW)	0.75 - 30
L x W x H (mm)	2230 x 520 x 1250
Capacity (pcs/min)	45
N.W (kgs)	100