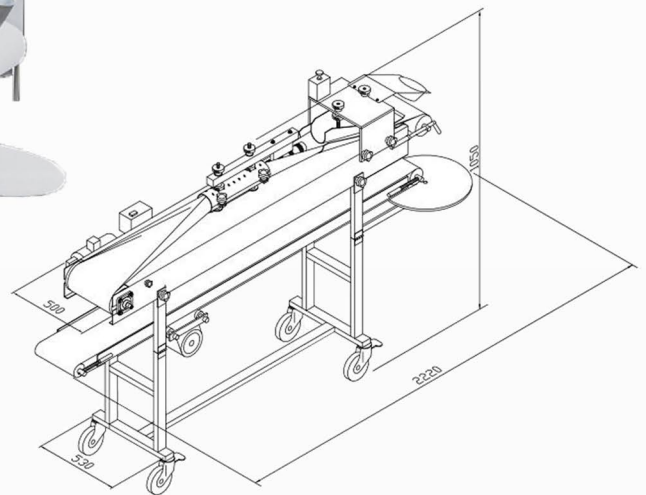


# BakeEquip

## KL - 2000



Put the well divided dough into the hopper, The bagel will be formed automatically.  
 Conveyor belts are completely removable for easy cleaning and maintenance.  
 The dough can be added in different ingredients or additive to make various flavors of bagels.

<b>Product name</b>	BakeEquip
<b>Model</b>	KL-2000
<b>Standard Voltage</b>	400V/3/50Hz
<b>Horse power</b>	1HP - 40W
<b>Output Power (KW)</b>	0.75 - 30
<b>L x W x H (mm)</b>	2230 x 520 x 1250
<b>Capacity (pcs/min)</b>	45
<b>N.W (kgs)</b>	100