

# POLIN

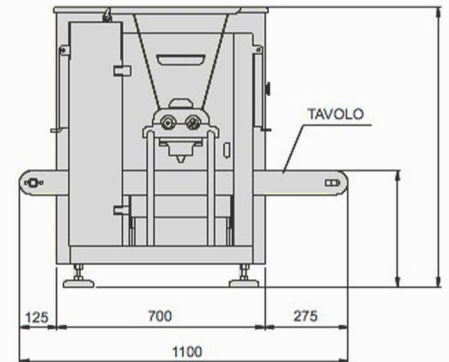
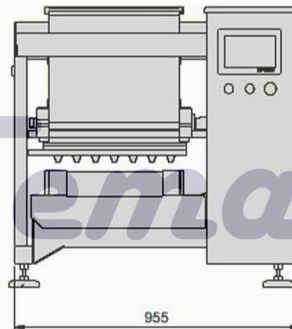
## MULTIDROP JUNIOR

Multidrop is a multi-purpose depositor machine.

Computer touch screen is suitable to create a huge range of biscuits, butter cookies, shortbread, lady fingers,

genoise puff creams, and many other products.

- all machines are equipped with:
- s/s frame; compact dimensions
- easily detachable table
- hard dough head hdd with stainless steel rollers, aluminum built-in head shoulders and plastic bushes
- head easy to disassemble and wash
- hard and soft dough heads are allowed to be fitted according with different kinds of products
- touch screen control, with capacitive graphic colour display tft 7" 800x480 pixel
- "CE" compliance certificate



	Trays Size		Hopper capacity	Strokes		Tension	Power	Weight
	Width	Max. Length		Depositor	Wire cut			
	mm	mm	l	n°/min.	n°/min.	Volt	kW	Kg
JUNIOR 4046	400-460	700	35	20	30	100/3N~/50	1, 3	200

The Bakery Equipment Specialist