

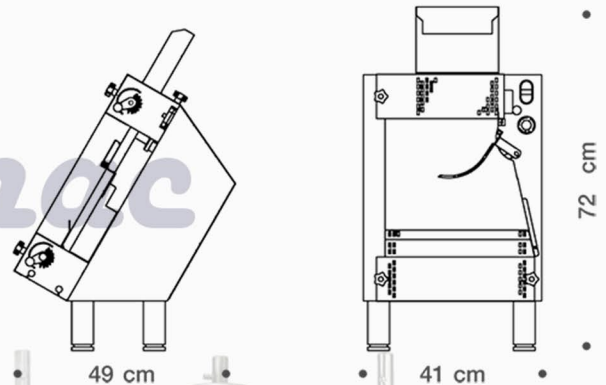


## M33: table top dough

Pizza Sprint M33 is a dough sheeter of new concept that works with pizza dough portions weighing from approx. 100 up to 350 grams, to obtain diameters from about 18 up to 33 cm. Adjustable thickness.



completely in stainless steel  
with a vanguard mechanics in stain-  
less steel with chain transmission  
very quick  
to obtain pizzas with diameters from  
18 up to 33 cm



### M33: Heavy-duty dough sheeter

Net weight	Kg. 39
Gross weight	Kg. 49
Power	370 W / 2,5 A
Current	230 V / 50 Hz (or any other on request)
Pizza diameter	The Bakery Equipment from 18 to 33 cm
Overall dimensions	cm 55 x 50 x 90 h (m <sup>3</sup> 0,25)