

**中井機械工業株式会社**

**HOT MIX**

**Easy-to-use, stable dough making for everyone**

### Touch Panel Memory

The touch panel memory can save up to 20 menu items. It perfectly and automatically reproduces your usual operation.

### Wireless Temperature Sensor

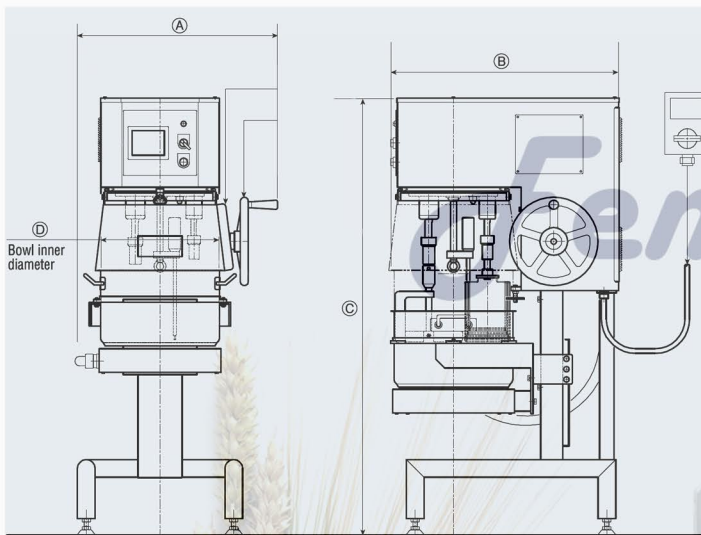
The wireless temperature sensor detects the temperature from the pan bottom on the induction heating (IH). This sensor is ideal for a variety of processes, ranging from the stage of dissolving ingredients in the hot water to the stages in making cream puff dough and jam.

### Unique Twin Whippers

These uniquely developed, heterogeneous whippers achieve fine and uniform foaming



**THM - 30L**



Model	A Opening	B Depth	C Height	D Pot Inner Diameter	Weight	Pot Capacity	Power Capacity	Mixing motor
THM-30-L	710	772	1480	400	250 kg	30 L	3-phase, 200 V, 3.8 kW	0.75 kW (1 HP)